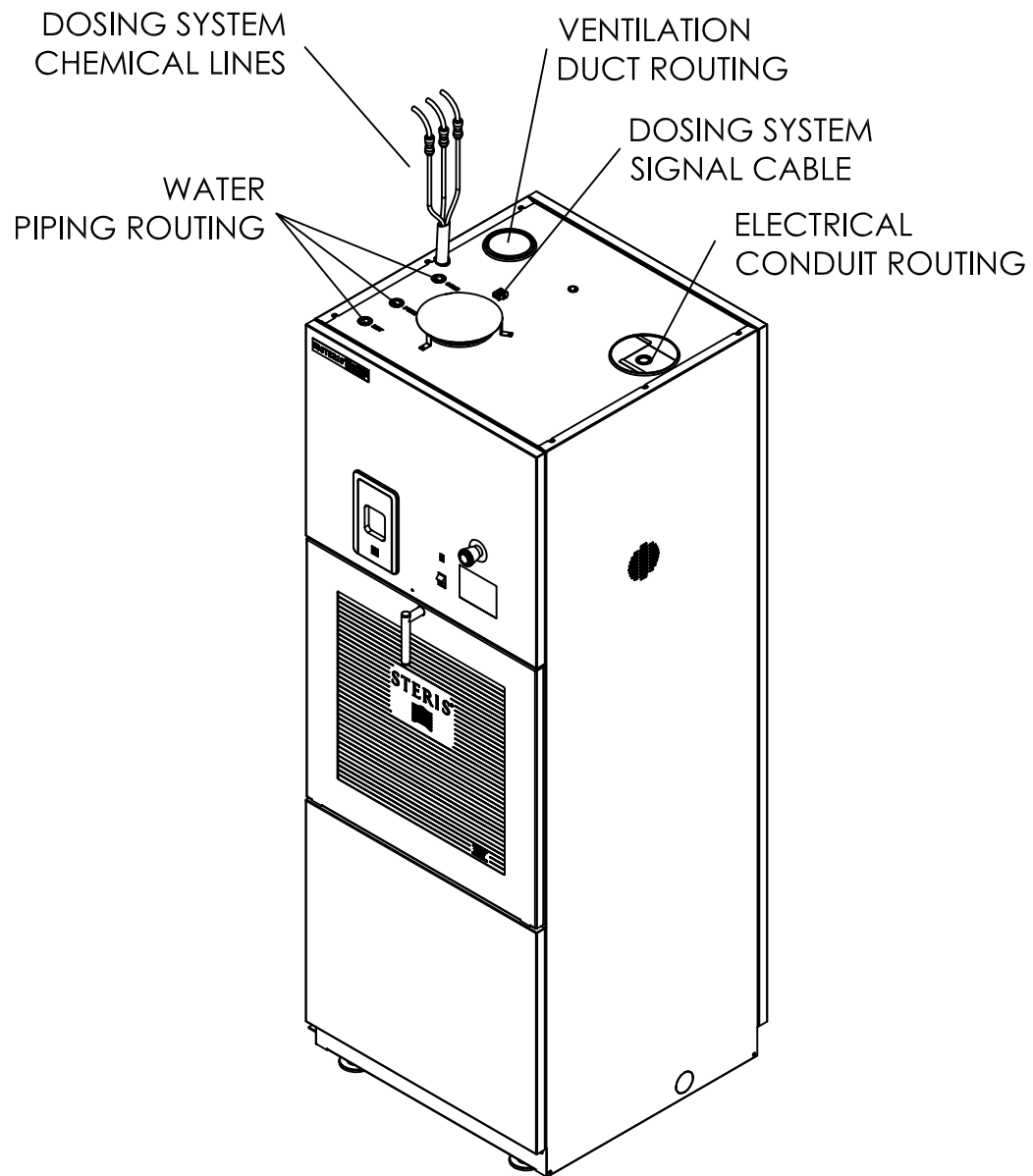


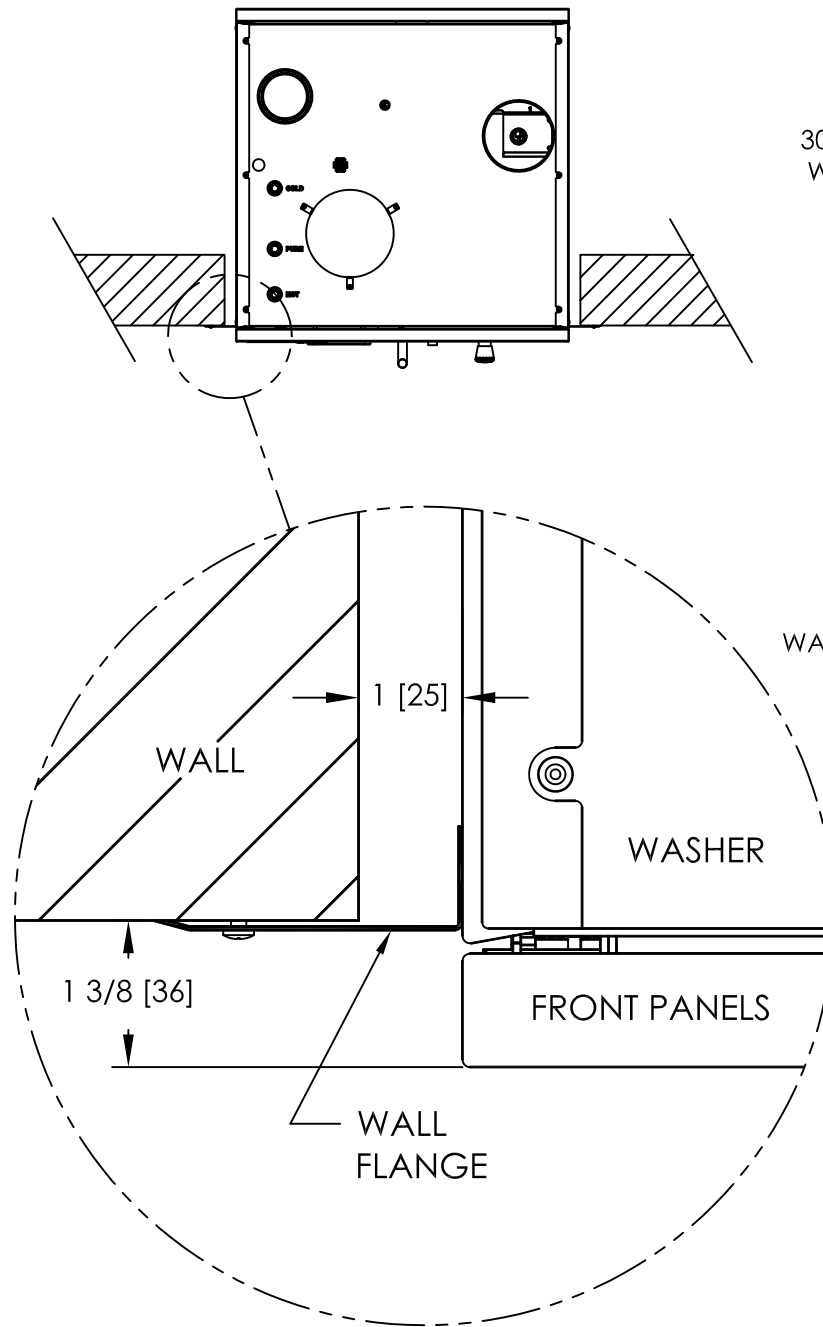
STAND ALONE INSTALLATION



WALL OPENING DETAIL FOR RECESSED INSTALLATION

30 1/2 [775] MIN.  
WALL OPENING

88 [2235]  
WALL OPENING



WALL FLANGE DETAIL

GENERAL NOTES:

1. INSTALL UNIT ON A NON-COMBUSTIBLE FLOOR.
2. WEIGHTED EQUIVALENT SURFACE SOUND PRESSURE LEVEL : 61,3 dB(A)  
CALCULATED AS DESCRIBED IN ISO 3746.



STERIS Canada Corporation

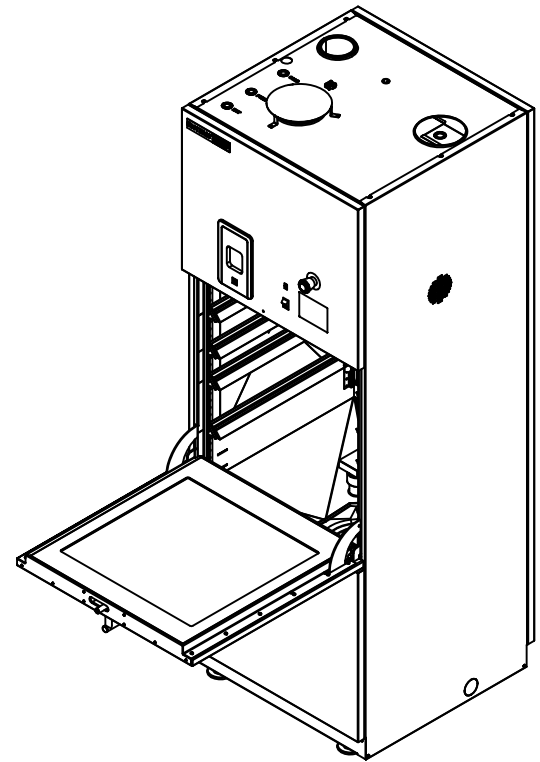
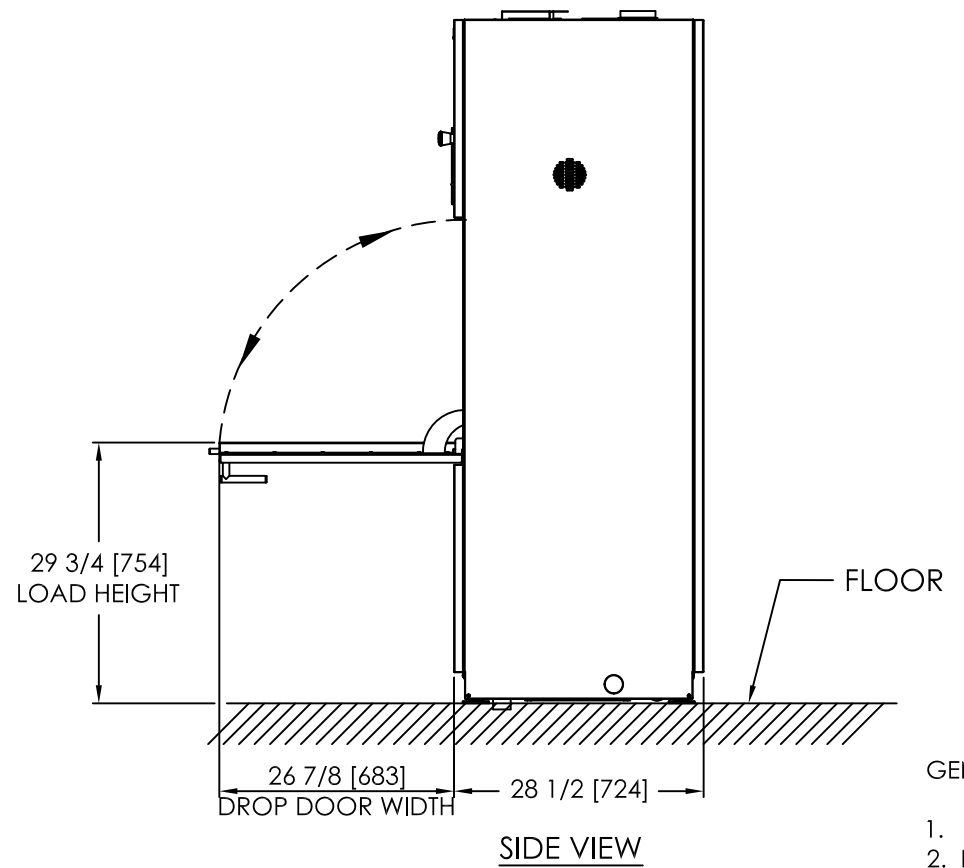
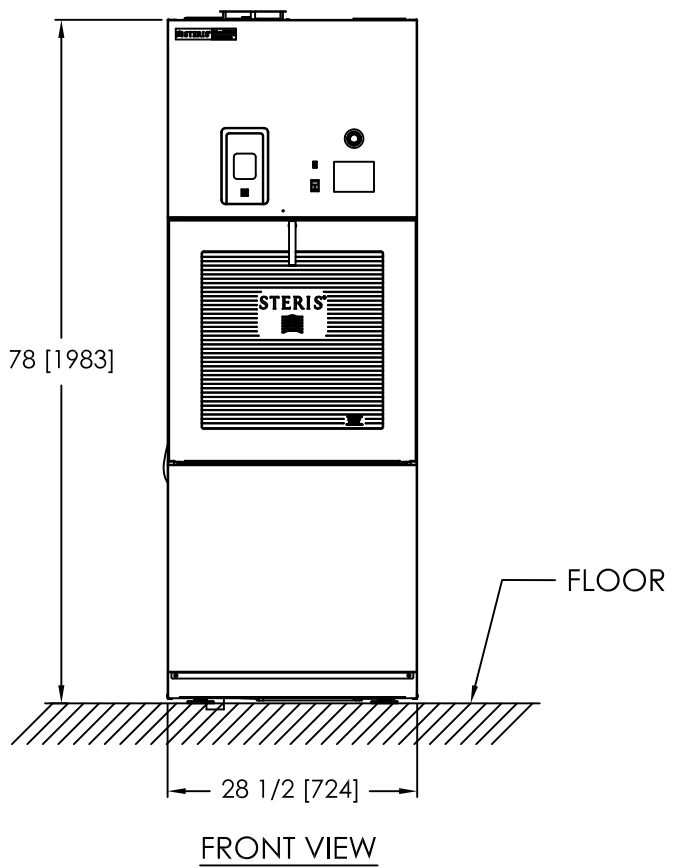
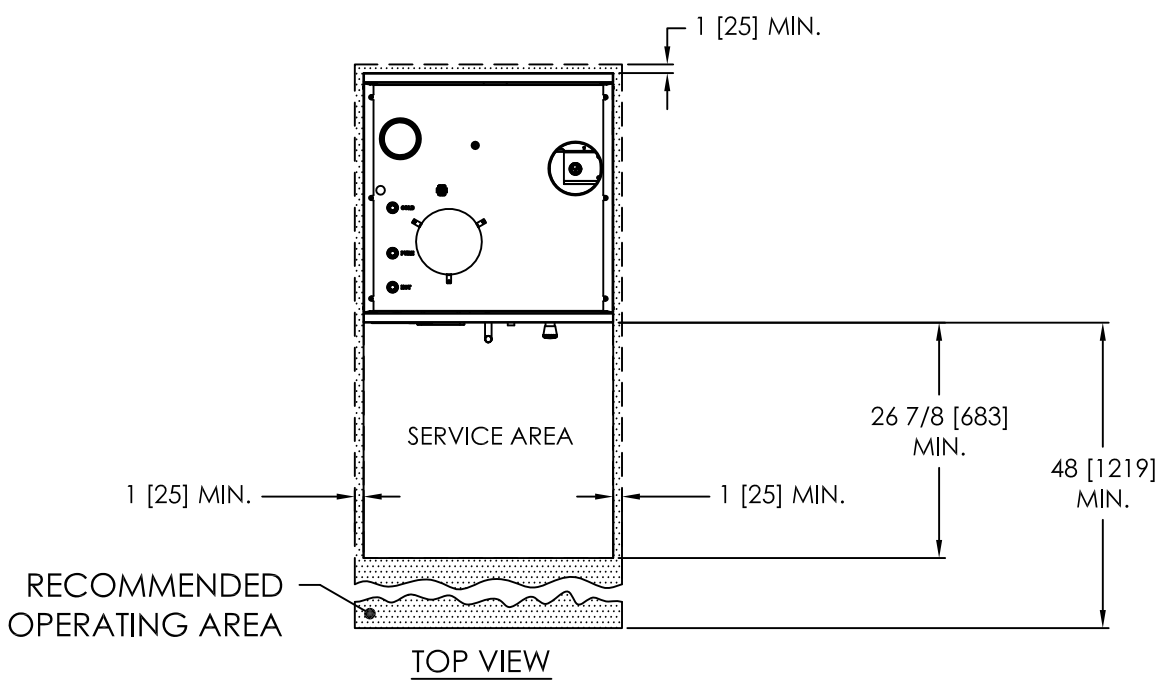
TITLE

Reliance 300XLS  
Glassware Washer

This document contains confidential and proprietary information of STERIS Corporation. Neither this document nor the information herein are to be reproduced, distributed, used or disclosed, either in part or in whole, except as specifically authorized by STERIS Corporation.

DWN. Marclen Jones

Drawing Number

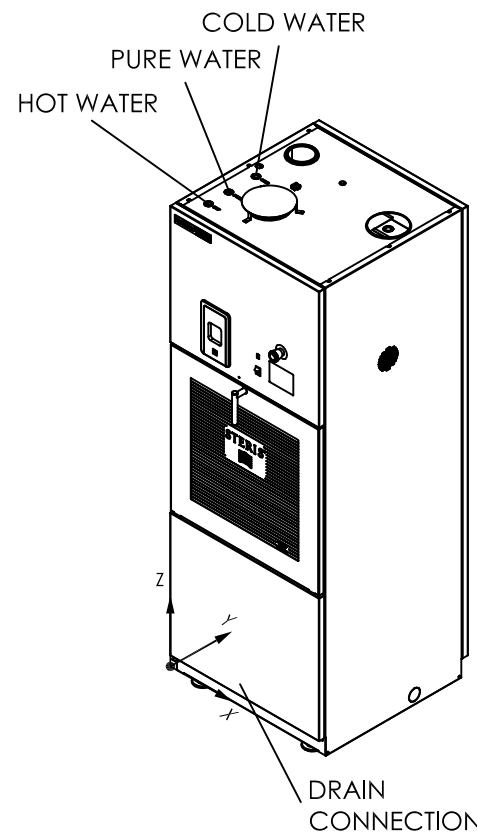
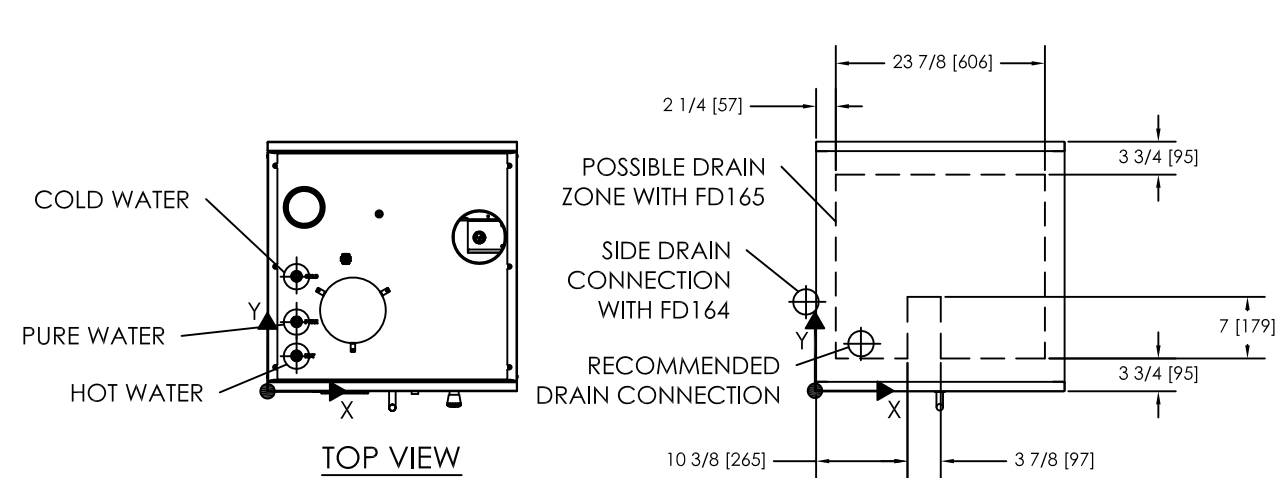


GENERAL NOTES:

1. ALLOW SUFFICIENT SPACE TO LOAD AND UNLOAD GLASSWARE ACCESSORIES (OPEN DOORS).
2. ELECTRICAL CONDUIT, DUCT WORK AND WATER PIPING SHOULD BE ROUTED ABOVE WASH CHAMBER AS INDICATED TO AVOID INTERFERING WITH SERVICE OF COMPONENTS ON WASHER ROOF.

	STERIS Canada Corporation	TITLE	Reliance 300XLS Glassware Washer
	<small>This document contains confidential and proprietary information of STERIS Corporation. Neither this document nor the information herein are to be reproduced, distributed, used or disclosed, either in part or in whole, except as specifically authorized by STERIS Corporation.</small>		Drawing Number
DWN. Marclen Jones			

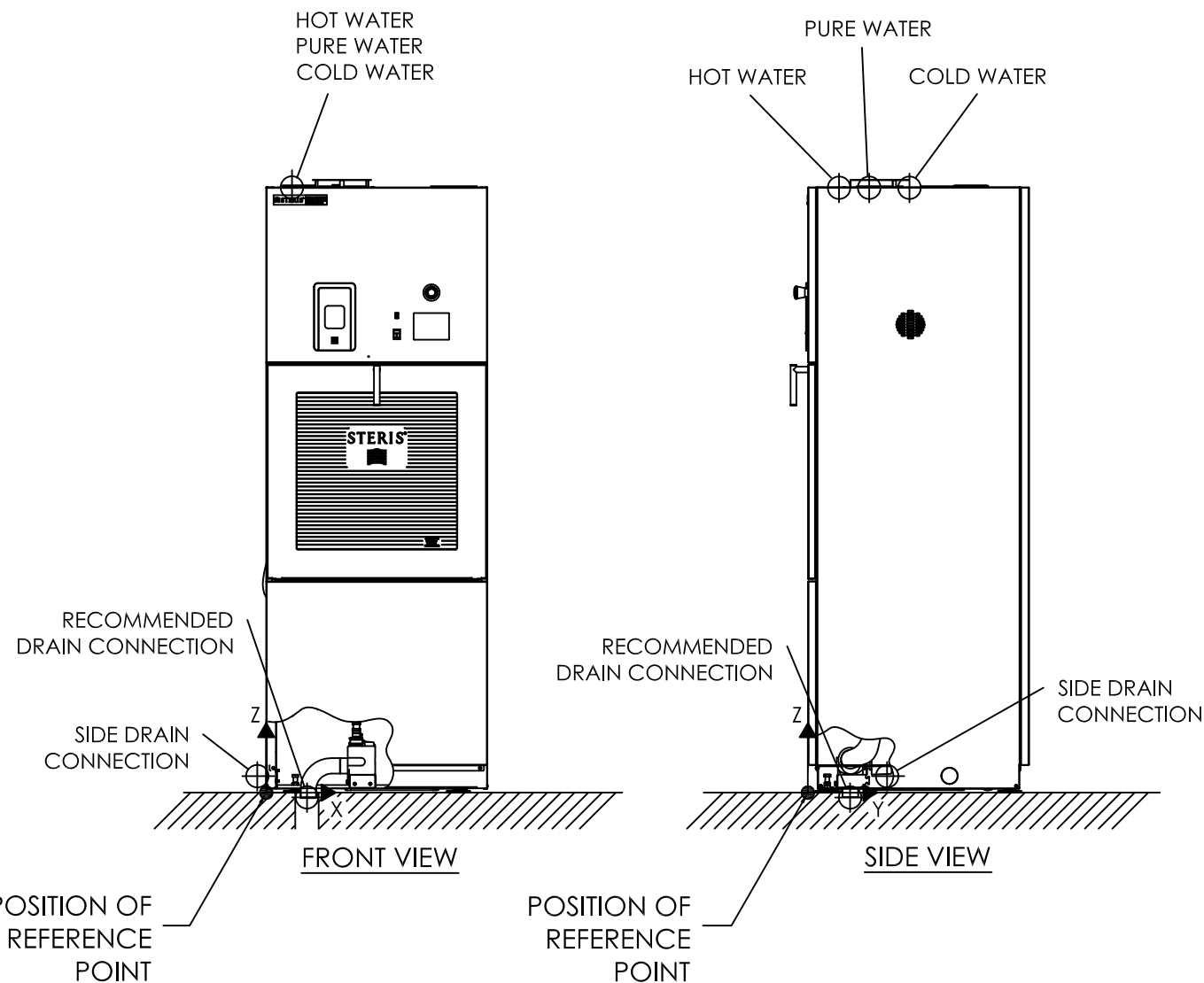
# UTILITY (PLUMBING) CONNECTION POSITION



**GENERAL NOTES:**

1. ALL CONNECTIONS SHOULD BE IN ACCORDANCE WITH LOCAL CODES.
2. INSTALLATION OF A WATER HAMMER ARRESTOR, EXTERNAL ISOLATION VALVES, UNIONS & PRESSURE GAGES ON WATER LINES ARE RECOMMENDED AND NOT SUPPLIED BY STERIS.
3. WATER LINES PIPING MAY NEED TO BE LARGER THAN THE CONNECTION SIZE DEPENDING ON THE LENGTH AND SUPPLY PRESSURE AVAILABLE.
4. **BACK FLOW PREVENTER NOT SUPPLIED. INSTALLED IF REQUIRED BY LOCAL PLUMBING CODE.**
5. CUSTOMER MUST PROVIDE UTILITY CONNECTIONS WITH SHUTOFFS DISCONNECTS WITHIN 2 FEET OF THE PERIMETER OF THE EQUIPMENT AND BELOW THE CEILING DECK.

CONNECTION POSITION WITH REFERENCE POINT			
DESCRIPTION	X	Y	Z
HOT WATER	3 5/16 [84]	4 1/32 [102]	78 [1981]
PURE WATER (OPTION)	3 5/16 [84]	7 15/16 [202]	78 [1981]
COLD WATER	3 5/16 [84]	13 1/8 [333]	78 [1981]
RECOMMENDED DRAIN CONNECTION	5 7/16 [138]	5 15/32 [139]	0 [0]
SIDE DRAIN CONNECTION (D) NEED ACCESSORY FD035	-1 1/2 [38]	10 1/4 [260]	2 3/16 [56]



UTILITY REQUIREMENTS CHART (B)								
DESCRIPTION	CONNECTION		PRESSURE RANGE (A)		OPERATING CONSUMPTION	TEMP. RANGE	AIR QUALITY	WATER QUALITY
	TYPE	SIZE	DYNAMIC	STATIC	MAX FLOW - US GPM [L/MIN]			
HOT WATER	NPT BSPT	1/2	15-50 PSIG [1.0-3.4 BAR]	90 PSIG [6.2 BAR]	9.8 -17.2 US GPM [37-65 L/MIN]	110-150 °F [43.3-65.6 °C]		120 PPM MAX
COLD WATER	NPT BSPT	1/2	30-50 PSIG [2.1-3.4 BAR]	90 PSIG [6.2 BAR]	6.9 -8.6 US GPM [26-33 L/MIN]	70 °F MAX [21.1 °C]		120 PPM MAX
PURE WATER OPTION	NPT BSPT	1/2	5-50 PSIG [0.3-3.4 BAR]	90 PSIG [6.2 BAR]	3.0 -8.6 US GPM [11-33 L/MIN]	150°F MAX [65.6°C]		0.1 MEG OHM/CM MIN
DRAIN (D)	O.D.	2 [51]			30 US GPM [114 L/MIN] (C)			

- NOTE (A) : OPTIMAL WASHER PERFORMANCES OBTAINED WHEN UTILITIES ARE PROVIDED AT MAX VALUE OF RANGE.
- NOTE (B) : STERIS DOES NOT RECOMMEND INSTALLATION OF A SPRINKLER OVER THE UNIT BUT IF REQUIRED BY LOCAL CODE IT MUST BE FUSED TO 240°F (116°C) OR ABOVE.
- NOTE (C) : STERIS RECOMMENDS A 3" MINIMUM DRAIN.
- NOTE (D) : DRAIN PIPING MUST SLOPED AT LEAST 1/4" PER FOOT. IF DRAIN COOLDOWN ACTIVATED, THE DRAIN MUST NOT EXCEED 24" OFF THE WASHER FOOTPRINT.


	STERIS Canada Corporation	TITLE	Reliance 300XLS Glassware Washer
	<small>This document contains confidential and proprietary information of STERIS Corporation. Neither this document nor the information herein are to be reproduced, distributed, used or disclosed, either in part or in whole, except as specifically authorized by STERIS Corporation.</small>		Drawing Number
DWN	Marclen Jones		

UTILITIES		CONSUMPTION PER PHASE					
STANDARD CYCLE		PRE-WASH	WASH	RINSE	PURE WATER RINSE	DRYING	TOTAL/CYCLE
HOT WATER (SUMP)	US GAL [L]	—	6 [23]	6 [23]	—	—	12 [46]
COLD WATER (SUMP)	US GAL [L]	6 [23.0]	—	—	—	—	6 [23]
COLD WATER FOR NON-VENTED (OPTION)	US GAL [L]	—	—	—	—	28.5 [108] <b>(1)</b>	28.5 [108] <b>(1)</b>
COLD WATER FOR DRAIN DISCHARGE COOL DOWN (IF SELECTED)	US GAL [L]	—	4 [15.2]	4 [15.2]	8 [30]	—	16 [60.4]
PURE WATER	US GAL [L]	—	—	—	6 [23]	—	6 [23]
DETERGENT	OZ [ML]	—	3.1 [92]	—	—	—	3.1 [92]

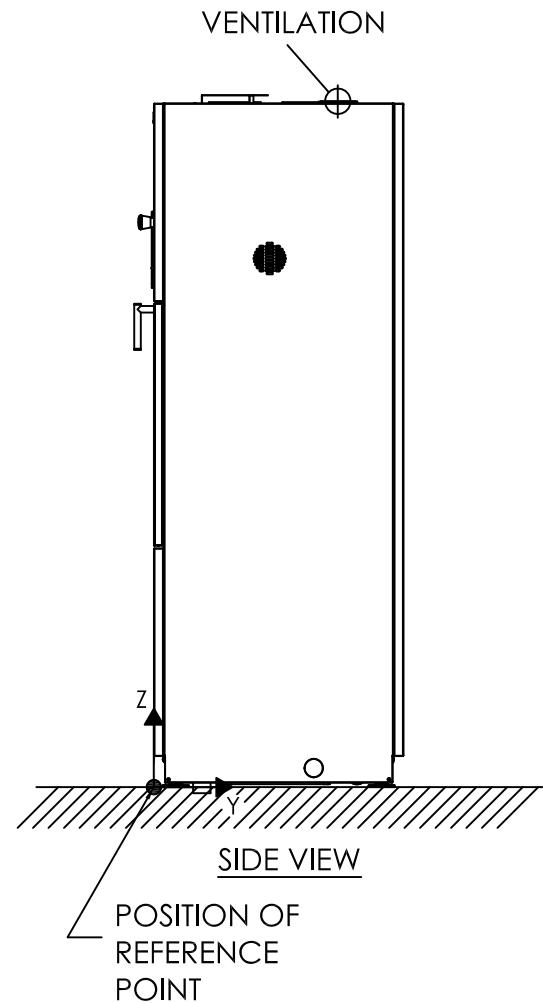
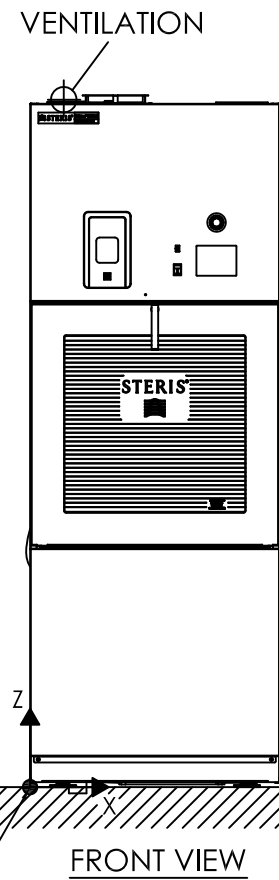
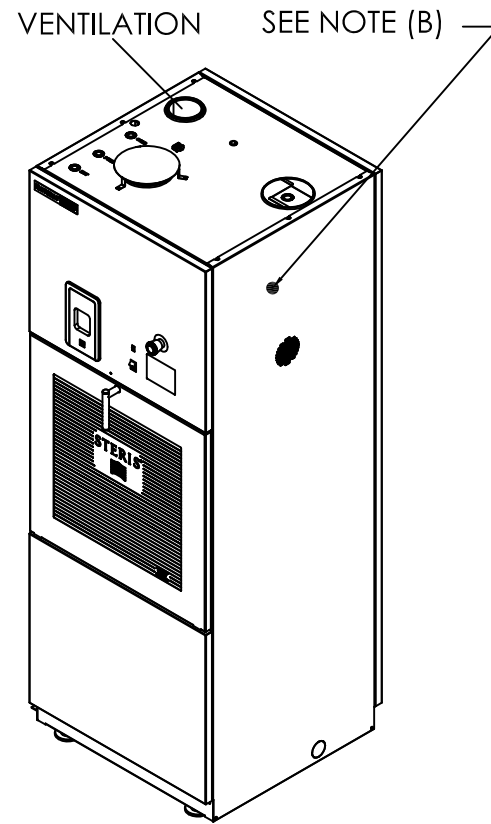
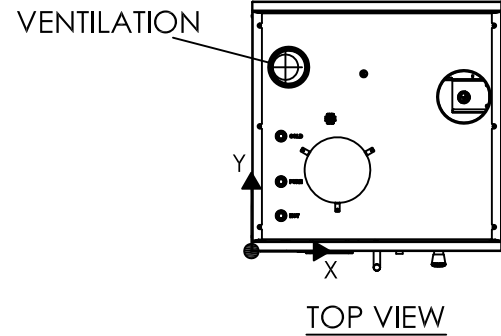
GENERAL NOTES:

- CHAMBER INTERNAL DIMENSIONS: 25-1/2" W X 23-1/2" H X 25-1/2" L [648mm X 597mm X 648mm]
- CHAMBER INTERNAL VOLUME: 8.84 ft³ [0.25 m³]
- SHIPPING DIMENSIONS : 36-1/2" W X 92" H X 37" L [927mm X 2337mm X 940mm]
- SHIPPING WEIGHT LB[kg]: 768 LB [348 kg]
- OPERATING WEIGHT LB[kg]: WITH CABINET, WATER AND ACCESSORY 646 LB [293 kg]

NOTE 1 : CONSUMPTION AT 30 PSIG [2.0 BAR] DYNAMIC (COLD TAP WATER)

	STERIS Canada Corporation	TITLE	Reliance 300XLS Glassware Washer
	<small>This document contains confidential and proprietary information of STERIS Corporation. Neither this document nor the information herein are to be reproduced, distributed, used or disclosed, either in part or in whole, except as specifically authorized by STERIS Corporation.</small>		Drawing Number
DWN: Marclen Jones			

# UTILITY (VENTILATION)



UTILITY REQUIREMENTS CHART						
	DESCRIPTION	CONNECTION		DYNAMIC PRESSURE RANGE	OPERATING CONSUMPTION	NOMINAL TEMP.
		TYPE	SIZE			
086	VENTILATION (A) (C)	O.D.	4 [102]	- 1/4" H2O [-62 Pa]	85 SCFM [144,4 M³/H]	250°F MAX. [121°C]

- NOTE (A): FOR ALL VENTILATION DUCTING FROM WASHER, STERIS RECOMMENDS INSTALLATION OF A DEDICATED CORROSION-PROOF AND WATERTIGHT DUCT TO THE EXTERIOR OF THE BUILDING, SLOPED TOWARD THE WASHER AND FREE OF DEAD LEGS.
- NOTE (B): SIGNAL AVAILABLE FOR EXTERNAL VENTILATION CONTROL INSIDE ELECTRICAL BOX.  
-SEE UTILITY ELECTRICAL PAGE  
-INSTALL BY ELECTRICIAN ONLY
- NOTE (C): FOR NON-VENTED OPTION, VENTILATION CONDUIT NOT REQUIRED.

### GENERAL NOTES:

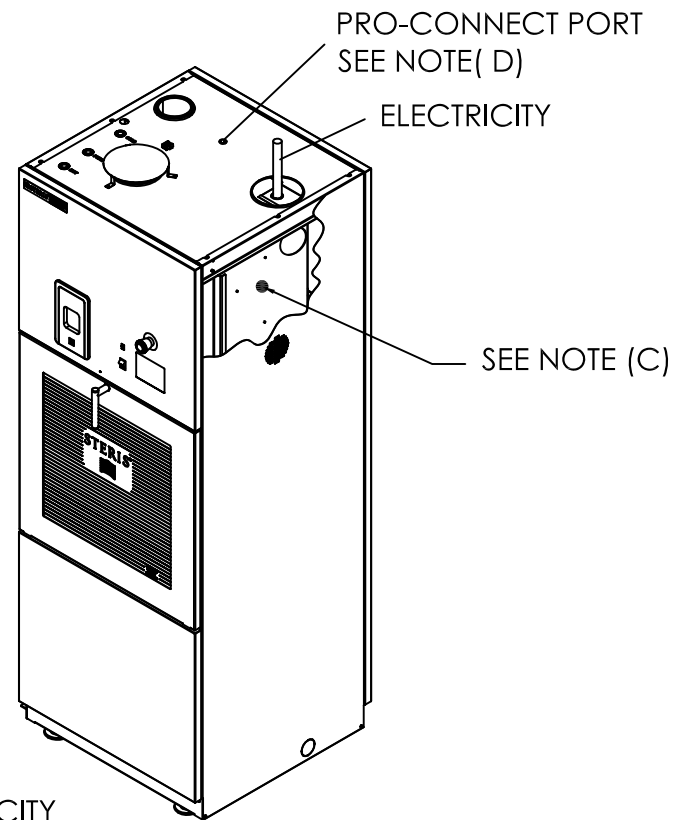
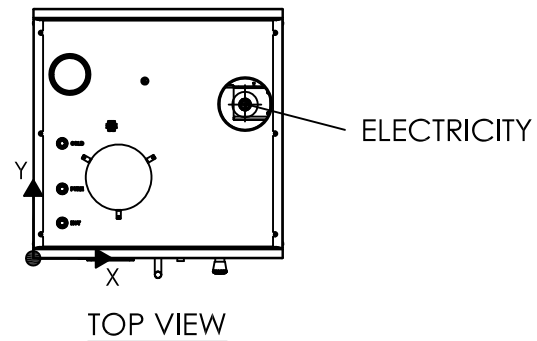
- ALL CONNECTIONS SHOULD BE IN ACCORDANCE WITH LOCAL CODES.

RELAY	FUNCTION	HEAT LOSS - BTU/H [W] AT 75°F [24°C]
CR5	VENTILATION (B)	AVERAGE FOR PRE-PROGRAMMED CYCLE VENTED AND NON-VENTED
		3179 [931]

CONNECTION POSITION WITH REFERENCE POINT			
DESCRIPTION	X	Y	Z
VENTILATION	4 3/16 [106]	21 [533]	79 1/16 [2008]

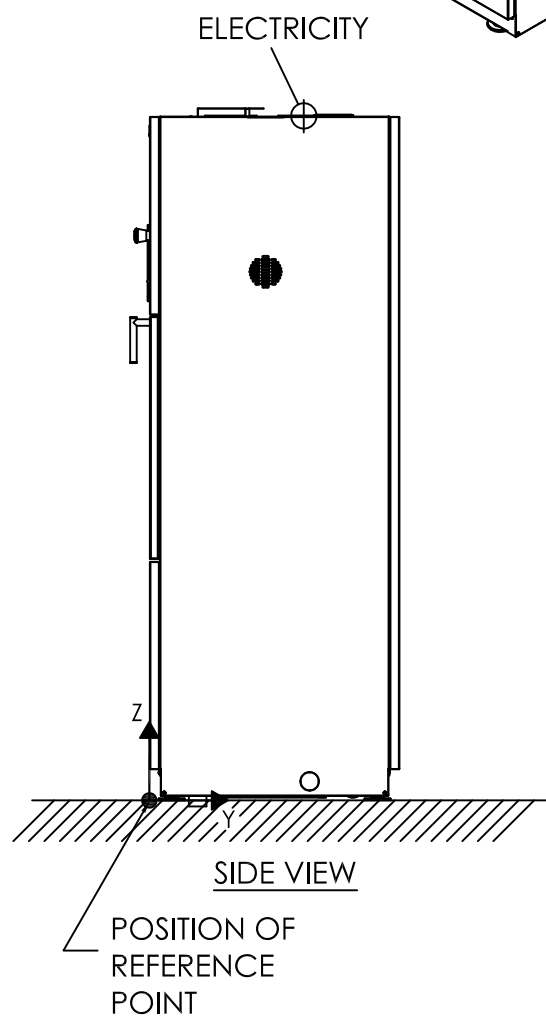
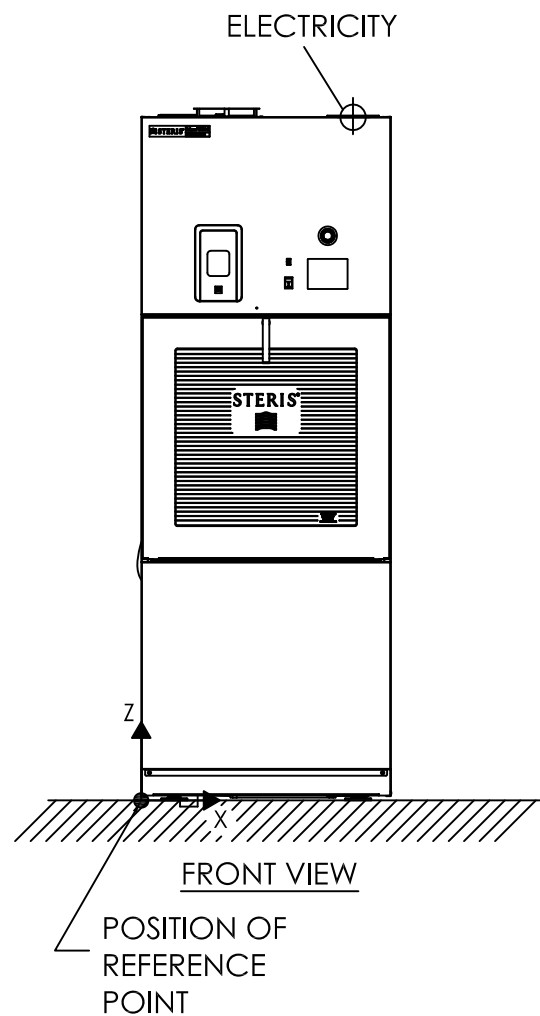
	STERIS Canada Corporation	TITLE	Reliance 300XLS Glassware Washer
	<small>This document contains confidential and proprietary information of STERIS Corporation. Neither this document nor the information herein are to be reproduced, distributed, used or disclosed, either in part or in whole, except as specifically authorized by STERIS Corporation.</small>		Drawing Number
DWN	Marclen Jones		

# UTILITY (ELECTRICITY)



UTILITY REQUIREMENTS CHART		
DESCRIPTION	CONNECTION	
	TYPE	SIZE
ELECTRICITY <b>(A)</b>	CONDUIT	1/2 - 3/4 - 1 [13-19-25]

STANDARD CONFIGURATION			
3~ OPERATING VOLTAGE <b>(B)</b>	208V 60Hz	380 - 400 - 415V 50Hz	460 - 480V 60Hz
NOMINAL AMPERAGE	44A	21.5A	19A
RECOMMENDED PROTECTION	60A	30A	30A
WIRING	3L+PE	3L+N+PE	3L+PE



**GENERAL NOTES:**

1. STERIS RECOMMENDS A LIGHT IN SERVICE AREA (IF APPLICABLE) ALONG WITH PROVISION OF A CONVENIENCE OUTLET FOR MAINTENANCE.
2. BREAKERS AND FUSED DISCONNECT AS REQUIRED, ARE BY OTHERS.
3. ALL CONNECTIONS SHOULD BE IN ACCORDANCE WITH LOCAL CODES.

NOTE (A) : SEE OPERATING VOLTAGE BOARD.

NOTE (B) : NEUTRAL WIRE IS REQUIRED FOR 380-400-415V 50HZ UNIT.

NOTE (C) : AUXILIARY DRY CONTACTS FOR VENTILATION IS AVAILABLE INSIDE CONTROL BOX. SEE ELECTRICAL SCHEMATIC.

NOTE (D) : PRO-CONNECT CABLING MUST BE AT LEAST 92" FROM CONTROLER ETHERNET PORT (INSIDE ELECTRICAL BOX) TO PRO-CONNECT PORT.

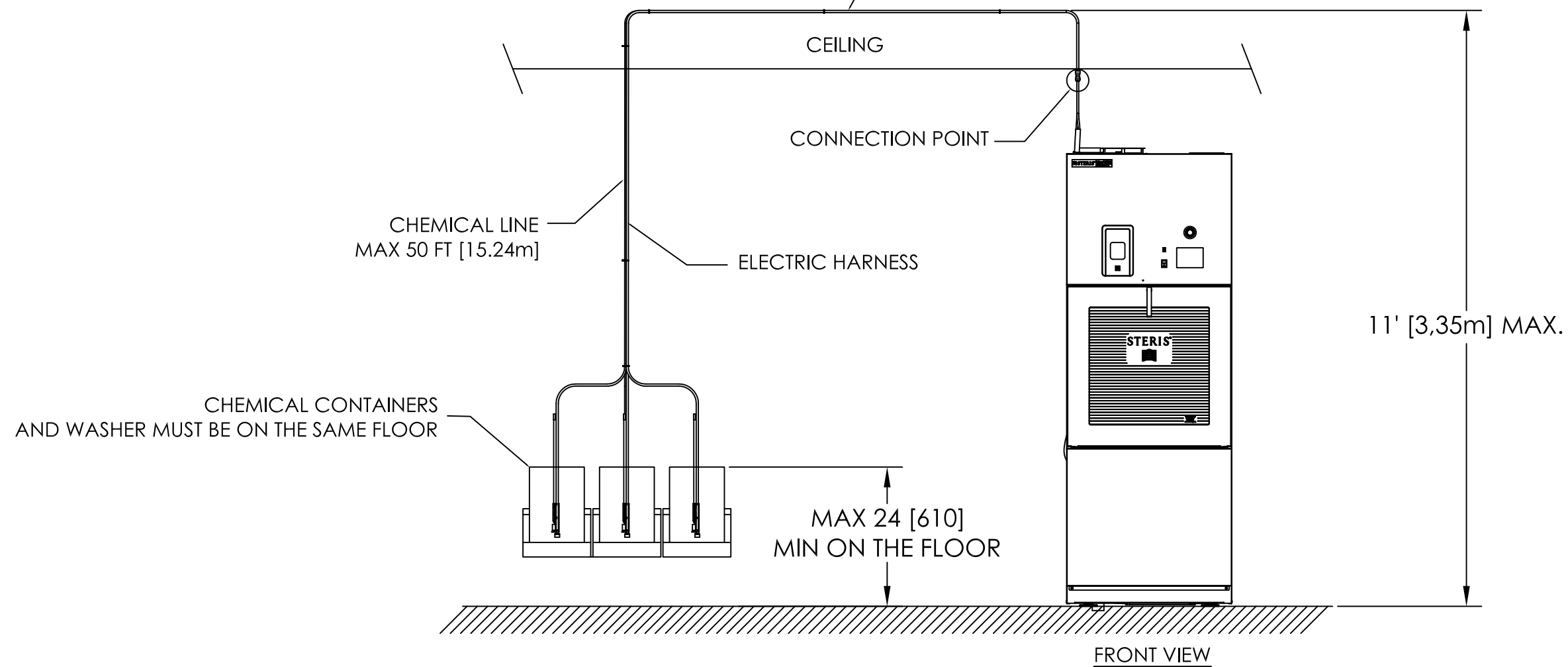
CONNECTION POSITION WITH REFERENCE POINT			
DESCRIPTION	X	Y	Z
ELECTRICITY	24 3/16 [614]	17 9/16 [446]	77 9/16 [1970]

	STERIS Canada Corporation	TITLE	Reliance 300XLS Glassware Washer
	<small>This document contains confidential and proprietary information of STERIS Corporation. Neither this document nor the information herein are to be reproduced, distributed, used or disclosed, either in part or in whole, except as specifically authorized by STERIS Corporation.</small>		Drawing Number
DWN. Marclen Jones			

# DOSING STATION

DETERGENT LINES SHALL NOT BE IN CONTACT WITH HOT SURFACES. IF THE CUSTOMER WANTS TO ROUTE THE CHEMICAL TUBES AND ELECTRICAL HARNESS THROUGH CONDUIT IT WILL REQUIRE A 3" [76] I.D. CONDUIT NOT PROVIDED BY STERIS.

EXCESS LENGTH MUST BE CUT BEFORE CONNECTING TO WASHER TO AVOID FORMING BUNDLES THAT COULD AFFECT THE DETERGENT INJECTION SYSTEM'S PERFORMANCES.



## GENERAL NOTE :

1. AMBIANT TEMPERATURE SHALL NOT EXCEED 104°F [40°C].

	STERIS Canada Corporation	TITLE	Reliance 300XLS Glassware Washer
	<small>This document contains confidential and proprietary information of STERIS Corporation. Neither this document nor the information herein are to be reproduced, distributed, used or disclosed, either in part or in whole, except as specifically authorized by STERIS Corporation.</small>		Drawing Number
DWN	Marclen Jones		